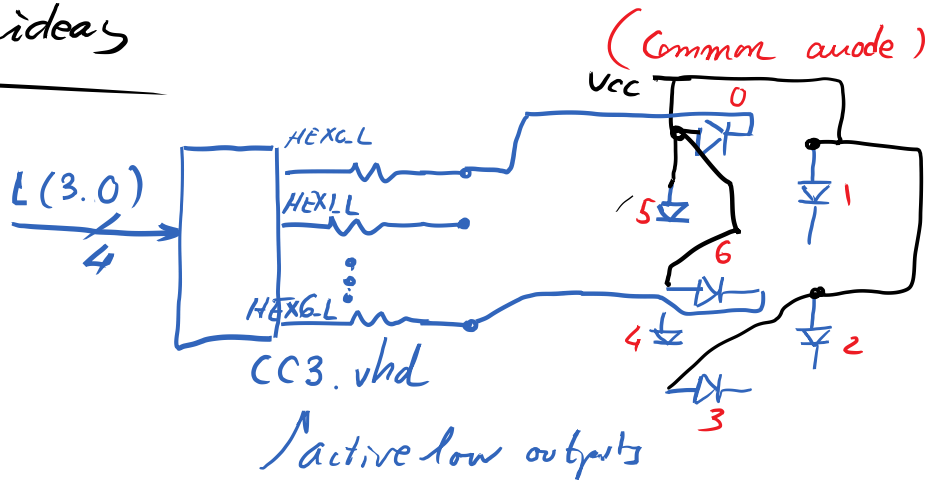


Some ideas



The idea is simple, translate the bar code in L(3.0) into the specific code to represent **E | E | F** in this common anode display

I guess that it is a 16 combinations truth table

L(3.0)	HEX6.L	HEX5.L	HEX0.L
--------	--------	--------	-------	--------

where are many outputs and inputs that you don't care → So a '0' or a '1' is ok.

→ The circuit is solved by the method of ROM.