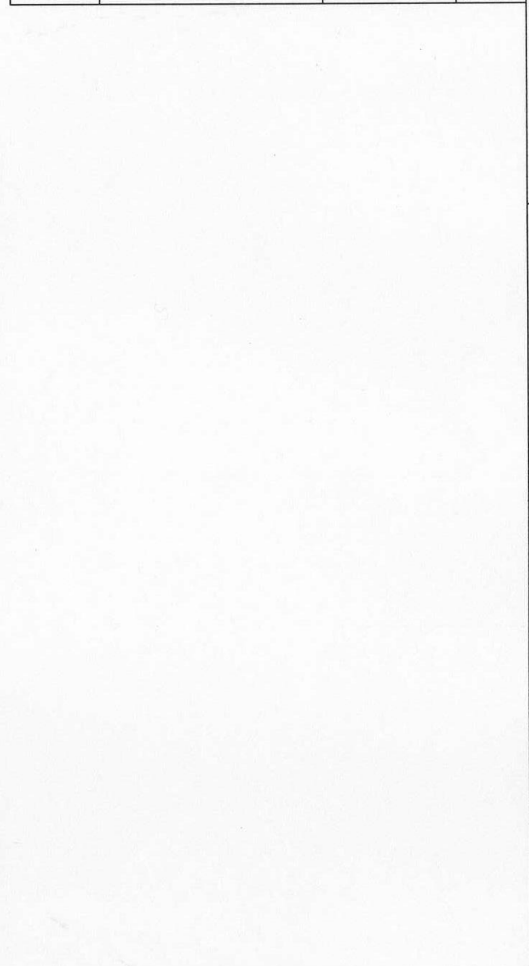


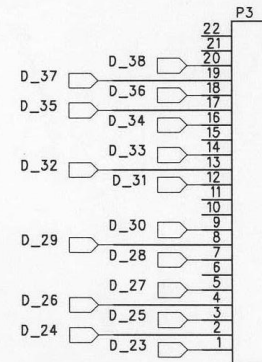
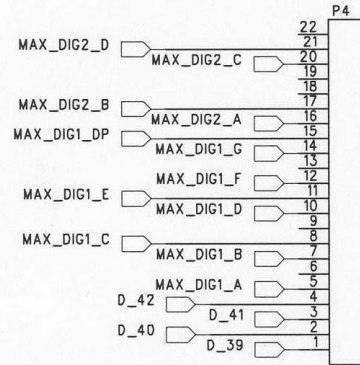
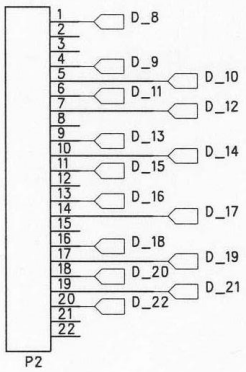
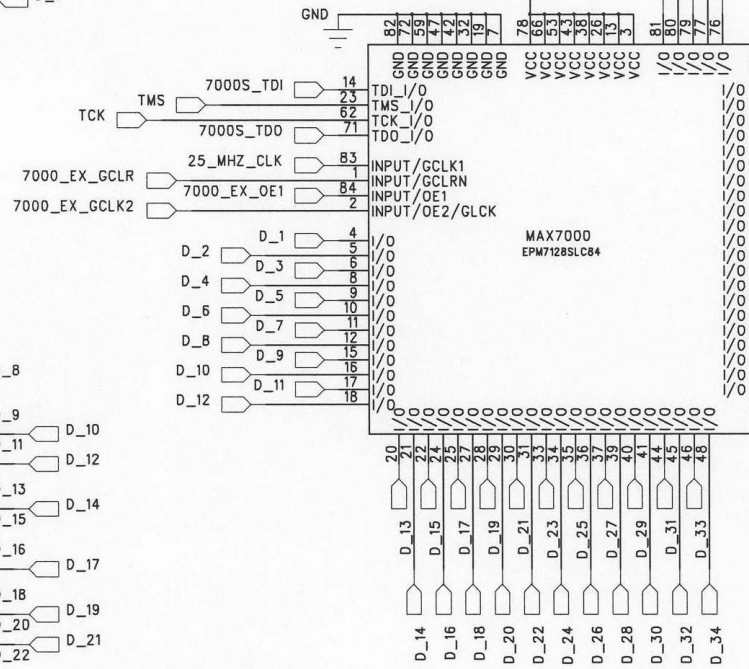
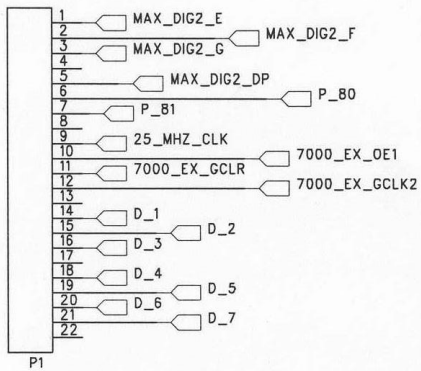
REVISION RECORD			
LTR	ECO NO:	APPROVED:	DATE:



COMPANY:
ALTERA

TITLE:
University Program Education Board

SIZE:	DRAWING NO:	REV:
A4	FLEX 10K	B



REVISION RECORD

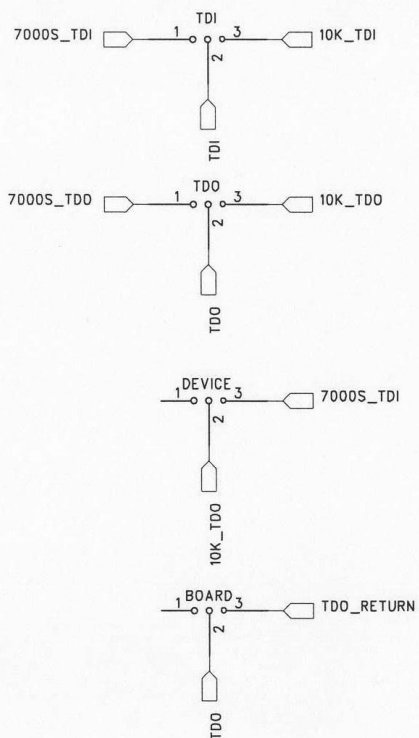
LTR	ECO NO:	APPROVED:	DATE:

COMPANY:
ALTERA

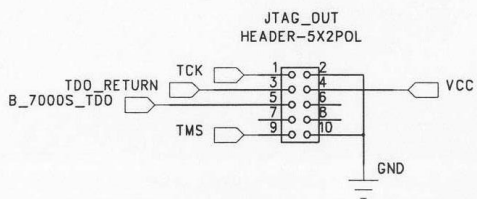
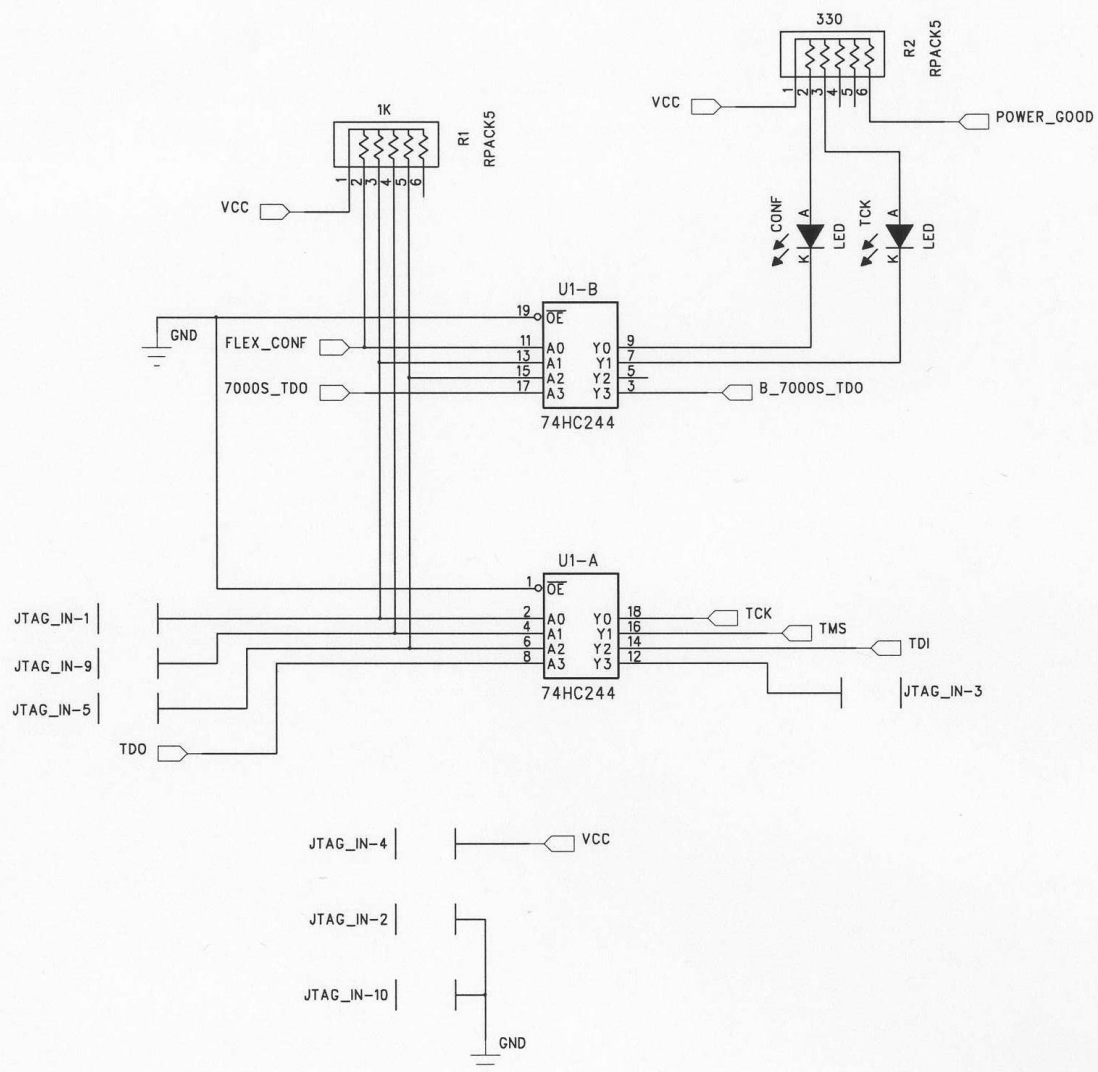
TITLE:
University Program Education Board

DRAWN: R. Beach	DATED: 2/15/2002
CHECKED:	DATED:
QUALITY CONTROL:	DATED:
RELEASED:	DATED:

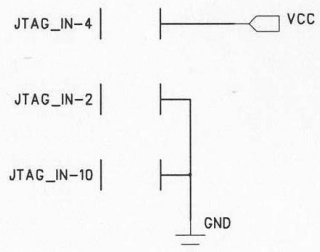
CODE:	SIZE: A4	DRAWING NO: MAX 7000S	REV: B
SCALE:		SHEET: 2 OF 8	



JTAG Jumper Configuration				
Program	TDI	TDO	DEVICE	BOARD
MAX7000S	C1-C2	C1-C2	C1-C2	OPEN
FLEX10K	C2-C3	C2-C3	C1-C2	OPEN
Both Devices	C2-C3	C1-C2	C2-C3	OPEN
Chain Boards	C2-C3	OPEN	C2-C3	C1-C2



ByteBlaster / BitBlaster Interface
JTAG Chain In



REVISION RECORD

LTR	ECO NO:	APPROVED:	DATE:

COMPANY:

ALTERA

TITLE:

University Program Education Board

DRAWN:
R. BEACH

DATED:
2/15/2002

CHECKED:

DATED:

QUALITY CONTROL:

DATED:

RELEASED:

DATED:

CODE:

SIZE:

A4

DRAWING NO:

JTAG / Programming
Chain

REV:

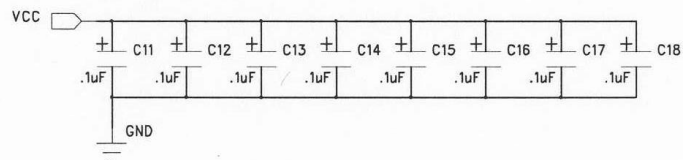
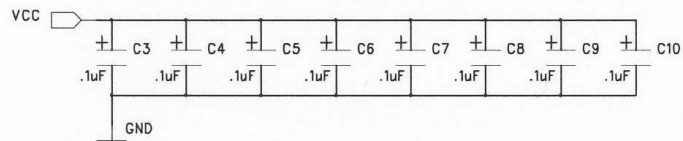
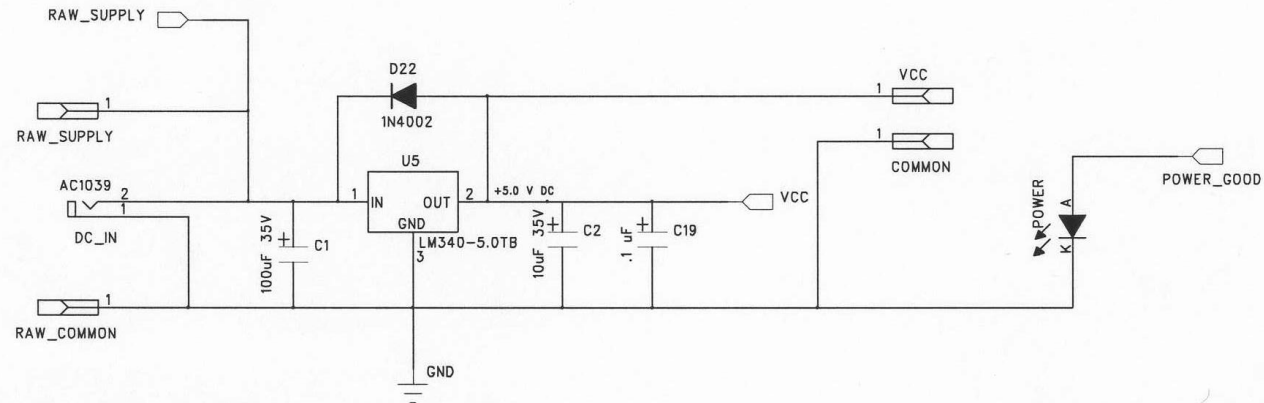
B

SCALE:

SHEET: 3 OF 8

REVISION RECORD

LTR	ECO NO:	APPROVED:	DATE:



COMPANY:

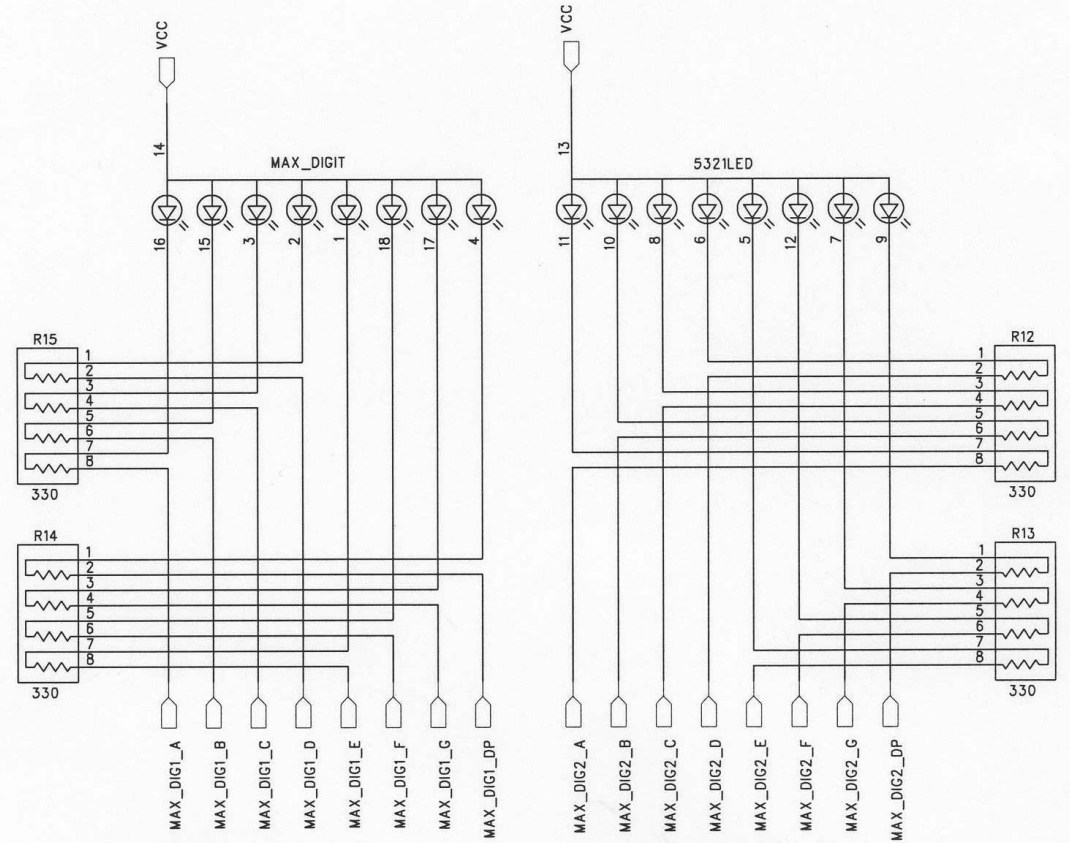
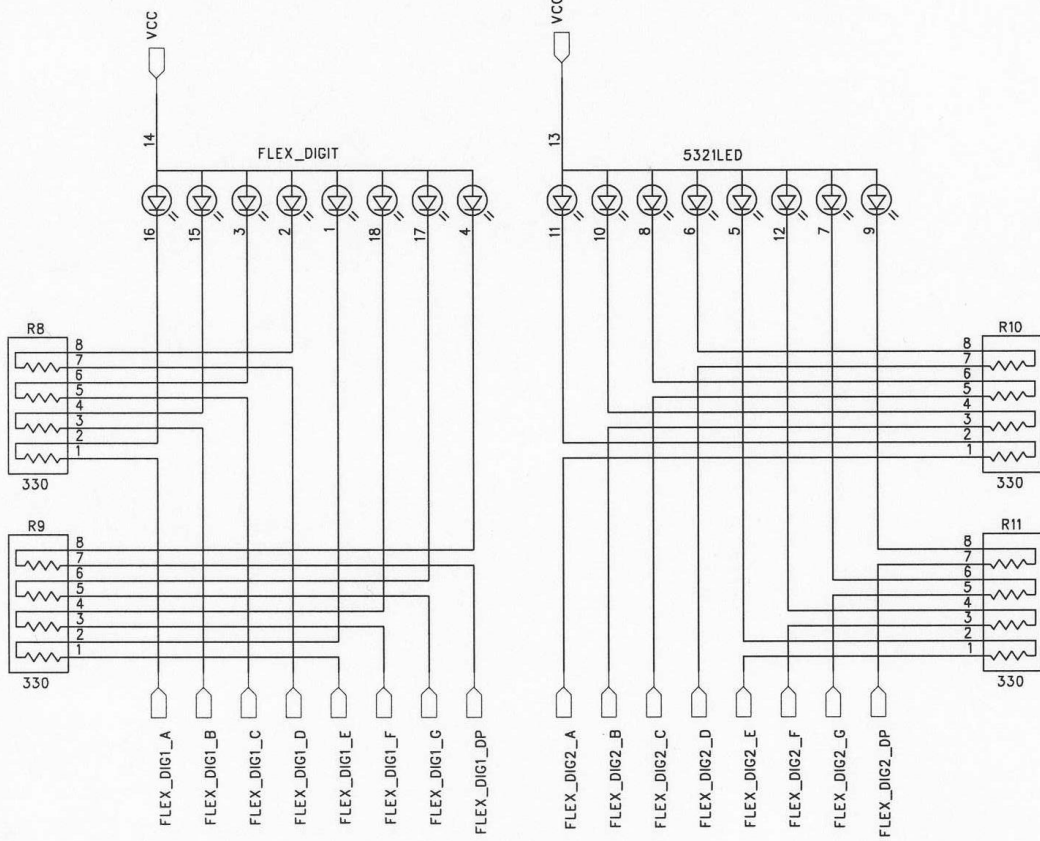
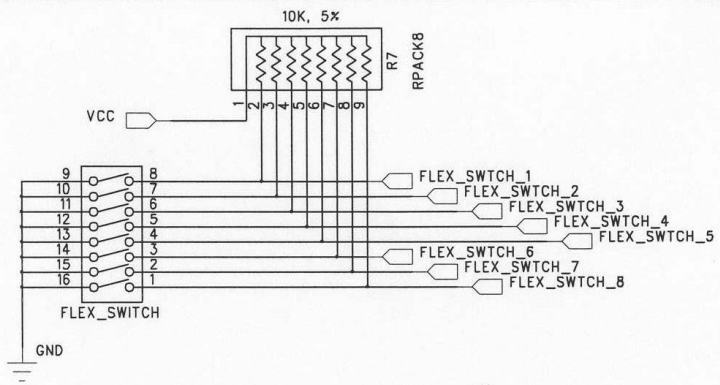
ALTERA

TITLE:

University Program Education Board

DRAWN: R. BEACH	DATED: 2/15/2002	CODE:		SIZE: A4	DRAWING NO: Power Supply	REV: B
CHECKED:	DATED:	SCALE:		SHEET: 4 OF 8		
QUALITY CONTROL:	DATED:					
RELEASED:	DATED:					

REVISION RECORD			
LTR	ECO NO:	APPROVED:	DATE:



COMPANY:
ALTERA

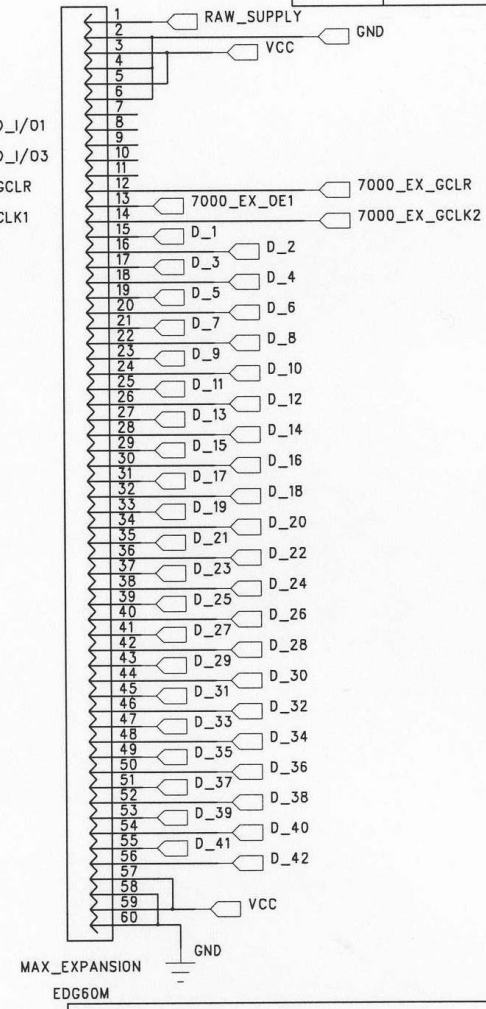
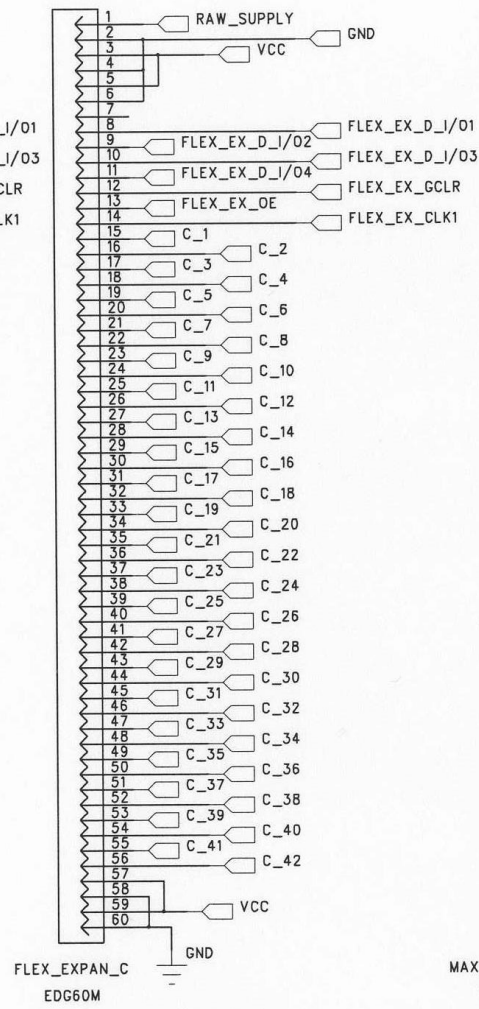
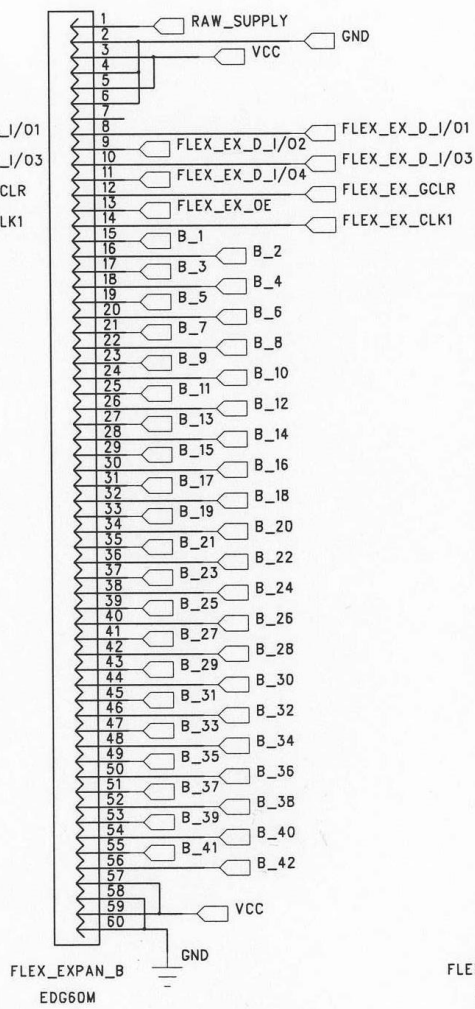
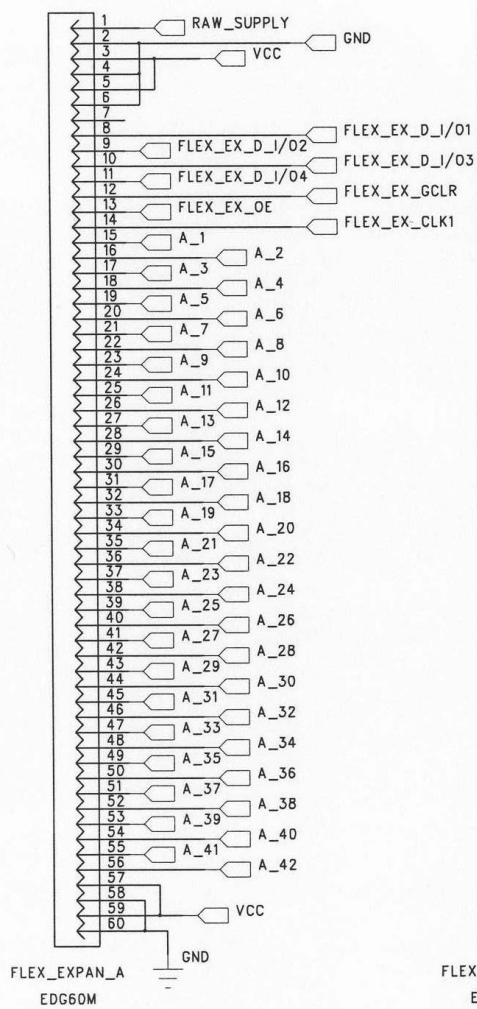
TITLE:
University Program Education Board

DRAWN: R. BEACH	DATED: 2/15/2002
CHECKED:	DATED:
QUALITY CONTROL:	DATED:
RELEASED:	DATED:

CODE:	SIZE: A4	DRAWING NO: Switches and LEDs	REV: B
SCALE:			SHEET: 5 OF 8

REVISION RECORD

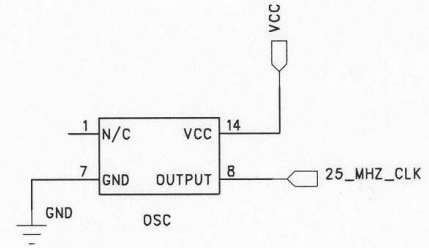
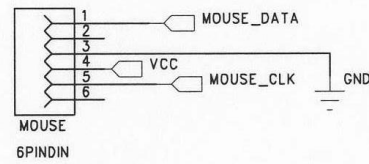
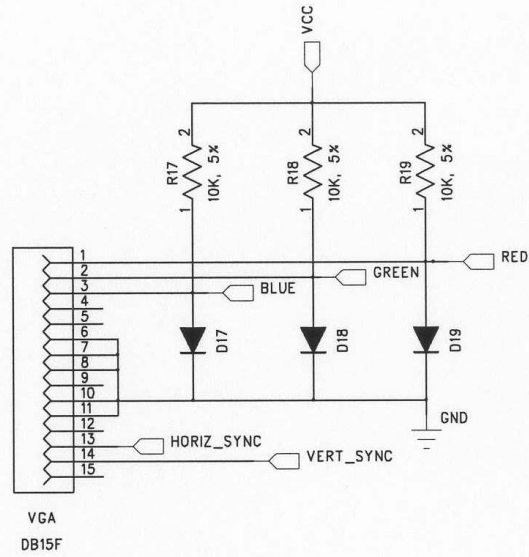
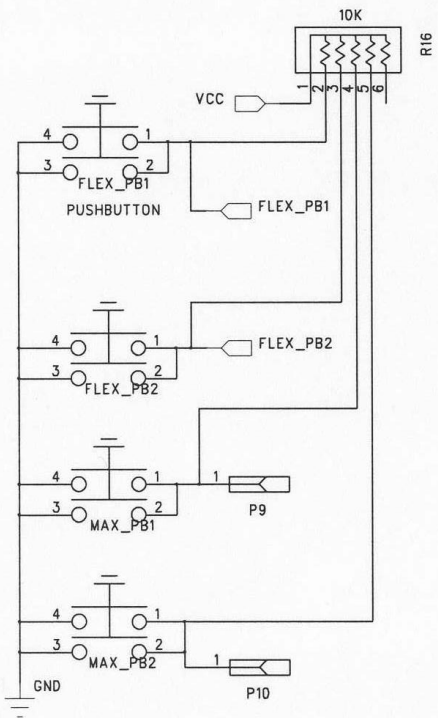
LTR	ECO NO:	APPROVED:	DATE:



COMPANY: ALTERA			
TITLE: University Program Education Board			
DRAWN: R. BEACH	DATED: 2/15/2002	CODE:	SIZE: A4
CHECKED:	DATED:	DRAWING NO: 60-PIN Dual Row Headers/ Connectors	
QUALITY CONTROL:	DATED:	REV: B	
RELEASED:	DATED:	SCALE:	SHEET: 6 OF 8

REVISION RECORD

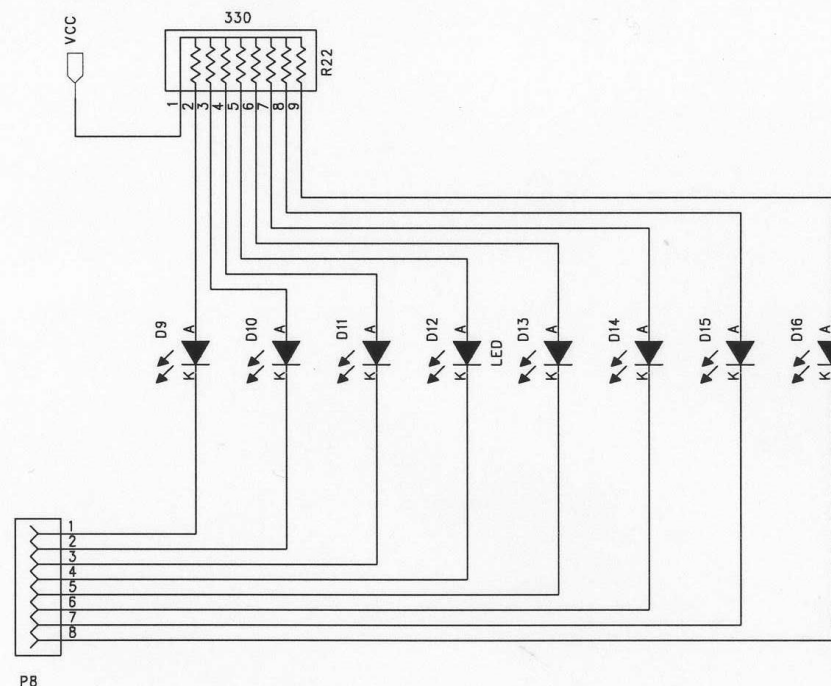
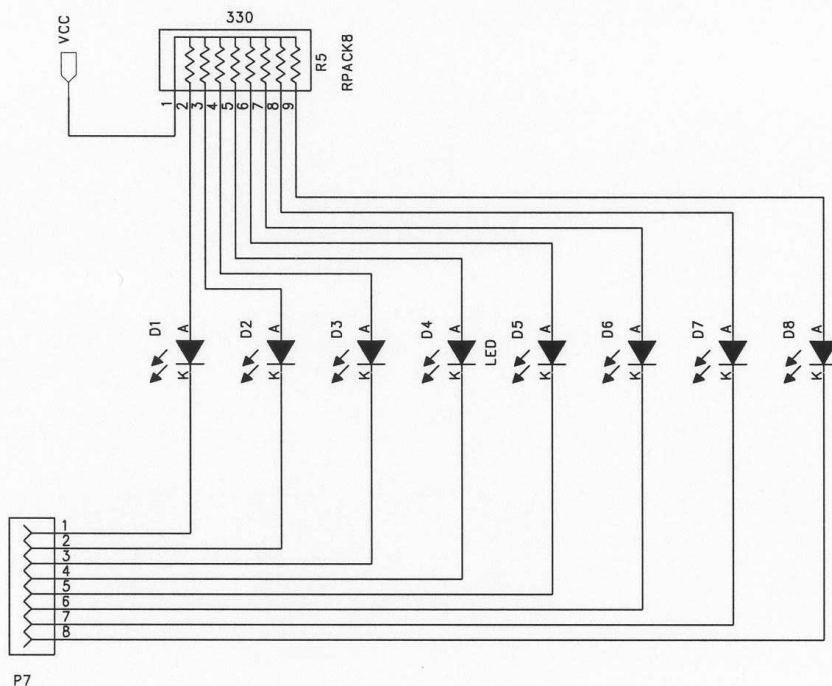
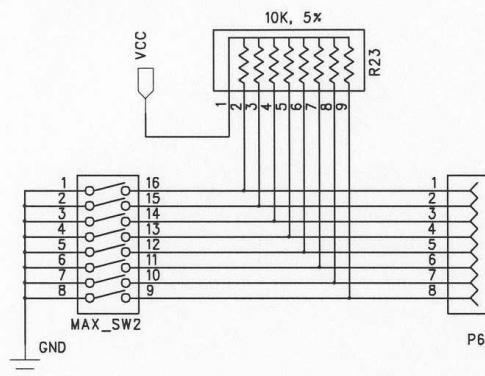
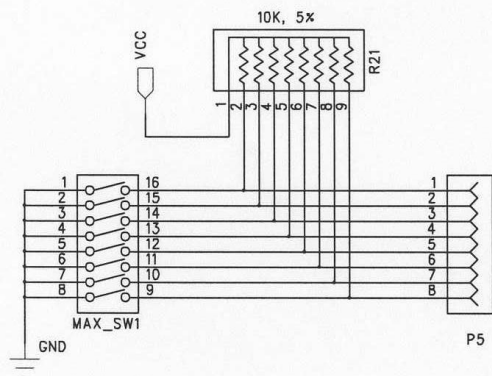
LTR	ECO NO:	APPROVED:	DATE:



COMPANY: ALTERA			
TITLE: University Program Education Board			
DRAWN: R. BEACH	DATED: 2/15/2002	CODE:	REV: B
CHECKED:	DATED:	SIZE: A4	DRAWING NO: VGA / Pushbuttons
QUALITY CONTROL:	DATED:	SCALE:	SHEET: 7 OF 8
RELEASED:	DATED:		

REVISION RECORD

LTR	ECO NO:	APPROVED:	DATE:



COMPANY:

ALTERA

TITLE:

University Program Education Board

DRAWN:
R. BEACH

DATED:
2/15/2002

CHECKED:

DATED:

QUALITY CONTROL:

DATED:

RELEASED:

DATED:

CODE:

SIZE:

DRAWING NO:

REV:

A4 MAX Diodes and Switches B

SCALE:

SHEET: 8 OF 8