

Unit: mm

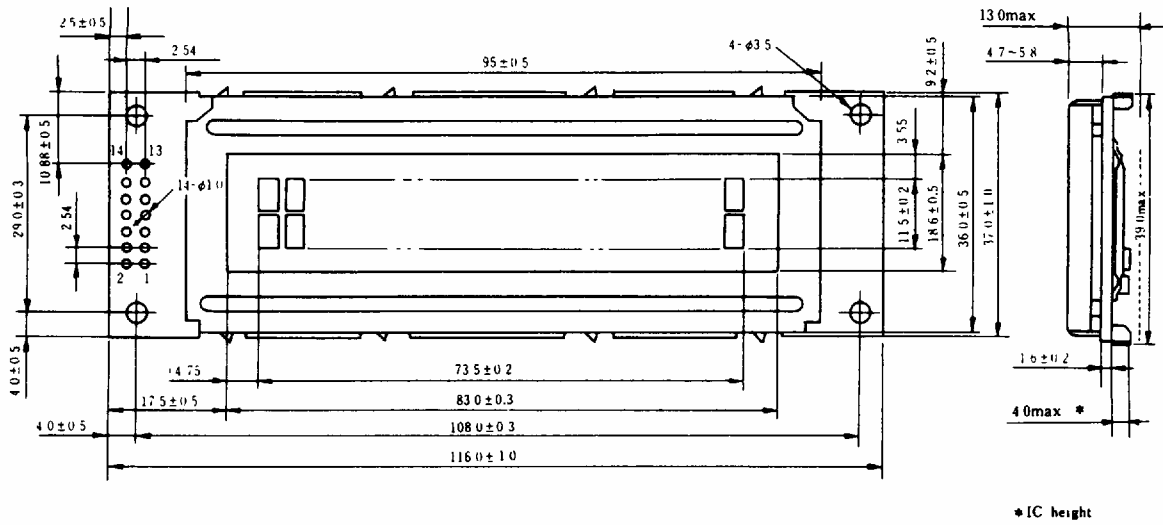


Fig. 2 External dimensions

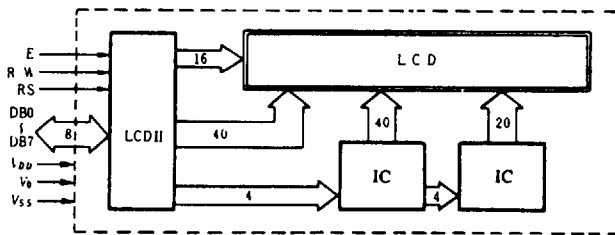


Fig. 3 Block diagram

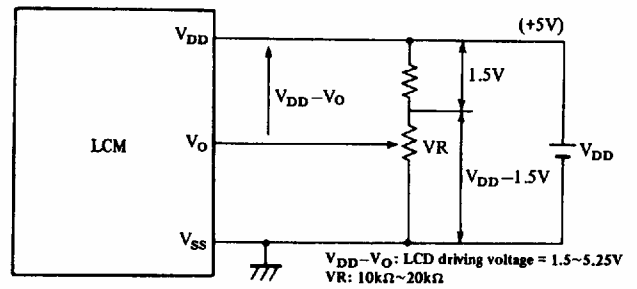
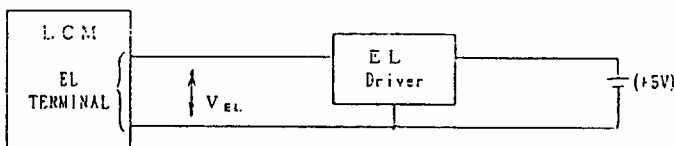


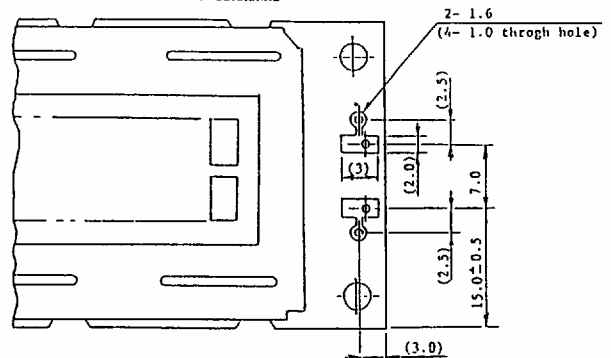
Fig. 4 Power supply

9.2 POWER SUPPLY FOR EL



THE EL BACKLIGHTING IS: NEC'S NEL-SLL-420-C
THE EL DRIVER IS: NEC'S NEL-D32-46.

DIMENSION OF EL ATTACHMENT TERMINAL



TIMING CHARACTERISTICS

Item	Symbol	Test condition	Min.	Typ.	Max.	Unit
Enable cycle time	t_{cyc}	Fig. 5, Fig. 6	1.0	—	—	μs
Enable pulse width	PW_{EH}	Fig. 5, Fig. 6	450	—	—	ns
Enable rise/fall time	t_{Er}, t_{Ef}	Fig. 5, Fig. 6	—	—	25	ns
RS, R/W set up time	t_{AS}	Fig. 5, Fig. 6	140	—	—	ns
Data delay time	t_{DDR}	Fig. 6	—	—	320	ns
Data set up time	t_{DSW}	Fig. 5	195	—	—	ns
Hold time	t_H	Fig. 5, Fig. 6	20	—	—	ns

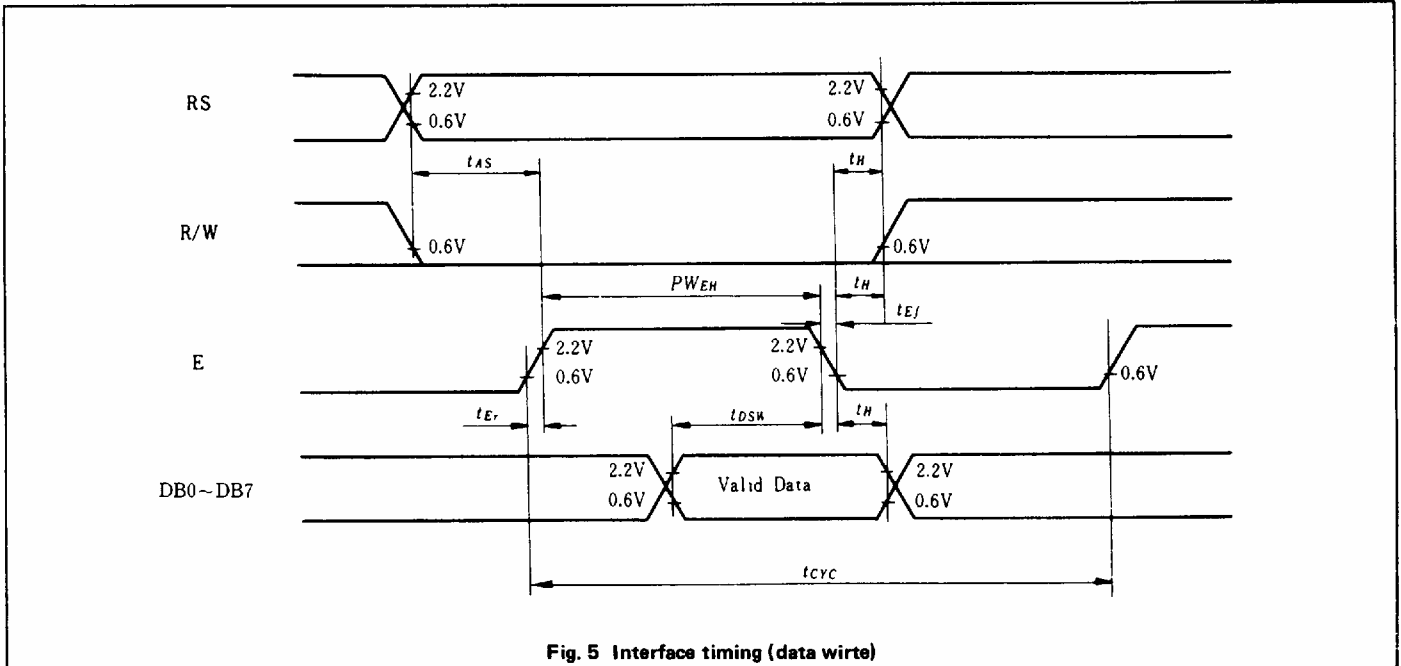


Fig. 5 Interface timing (data write)

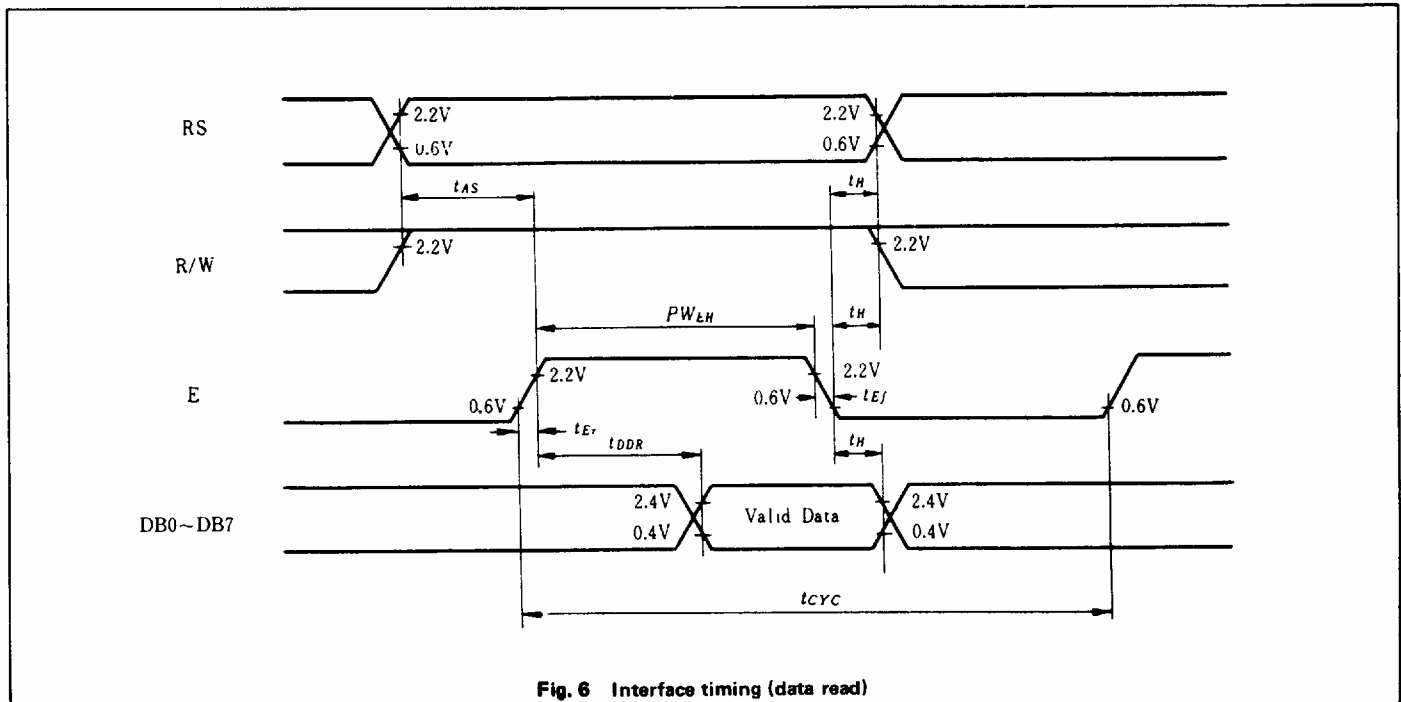


Fig. 6 Interface timing (data read)

This datasheet has been downloaded from:

www.DatasheetCatalog.com

Datasheets for electronic components.