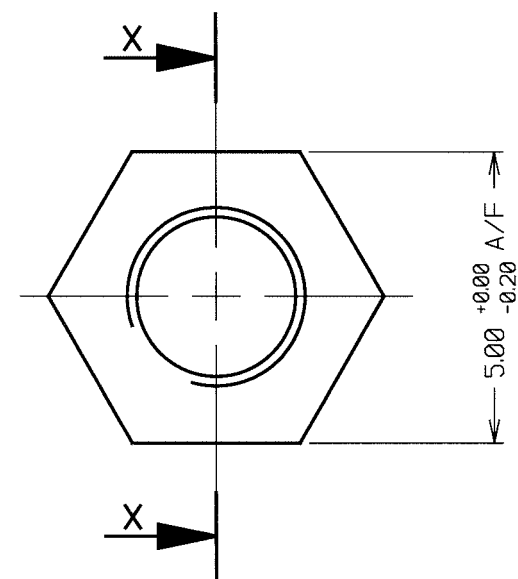


SECTION X-X



PART No.	DIM 'A'	SURFACE AREA
R6390-02	3.18	111.5mm <sup>2</sup>
R6391-02	6.35	195.2mm <sup>2</sup>
R6392-02	9.52	278.9mm <sup>2</sup>
R6393-02	12.70	362.8mm <sup>2</sup>
R6394-02	15.88 ±0.15	446.8mm <sup>2</sup>
R6395-02	19.05 ±0.15	530.5mm <sup>2</sup>
R6396-02	22.23 ±0.15	614.5mm <sup>2</sup>
R6397-02	25.40 ±0.15	698.2mm <sup>2</sup>

## NOTES.

- FINISH = F0203 (0.35μ NICKEL)
- THREAD TO BE MANUFACTURED IN ACCORDANCE WITH BS3643 PART. 2 1981.
- REMOVE ALL BURRS.

14	22.01.99	4737
13	11.04.87	1081
12	08.02.86	932

ISS. DATE C/N

APPROVED: *[Signature]*CHECKED: *[Signature]*

DRAWN: D. BECK

CUSTOMER REF.

ASSEMBLY DRG:

**HARWIN**

## TOLERANCES

X. = ±1mm  
 X.X = ±0.25mm  
 X.XX = ±0.10mm  
 X.XXX = ±0.01mm  
 ANGLES = ±1°  
 UNLESS STATED

## MATERIAL:

BRASS CZ121 TO BS2874  
(BRM1023)

FINISH: SEE NOTE 1

S/AREA: SEE TABLE mm<sup>2</sup>

## TITLE:

M3 THREADED HEXAGONAL  
SPACER

DRAWING NUMBER:

R6390-02/R6397-02

SHT  
1  
OF  
1HARWIN INC  
U.S.A.TEL: (812) 285 0055  
FAX: (812) 285 0056HARWIN PLC  
U.K.TEL: 01705 370451  
FAX: 01705 314590HARWIN PTE  
SINGAPORETEL: 65 7794909  
FAX: 65 7793868

# Mouser Electronics

Authorized Distributor

Click to View Pricing, Inventory, Delivery & Lifecycle Information:

[Harwin:](#)

[R6396-02](#) [R6397-02](#) [R6395-02](#) [R6392-02](#) [R6391-02](#) [R6393-02](#)